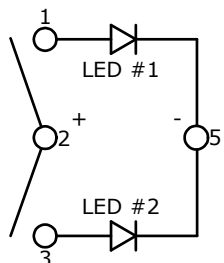
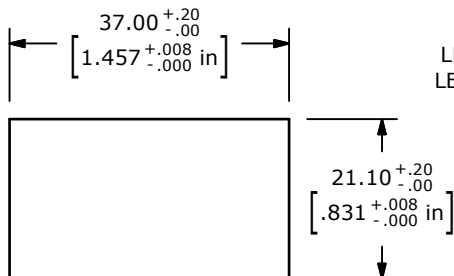


| ▲ SWITCH FUNCTION | | |
|-------------------|--------|--------|
| POS. 1 | POS. 2 | POS. 3 |
| | | |
| (ON) | OFF | (ON) |
| 1-2 | NONE | 2-3 |



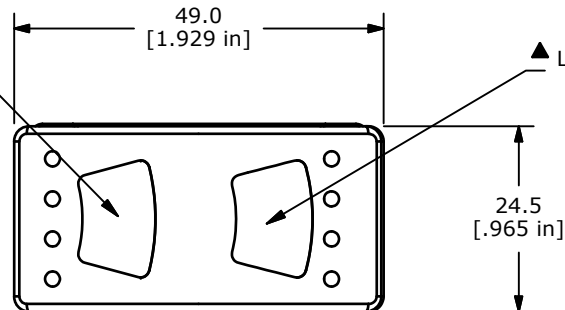
CIRCUIT: SPDT
 (ON) - OFF - (ON)
 () = MOMENTARY FUNCTION



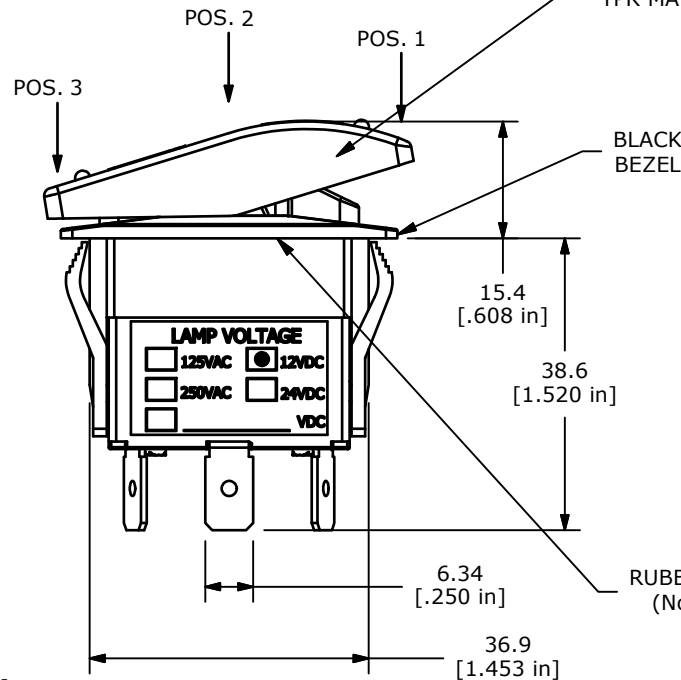
RECOMMENDED
 PANEL CUT-OUT

LED #2 RED
 LENS: WHITE

LED #1 GREEN
 LENS: WHITE

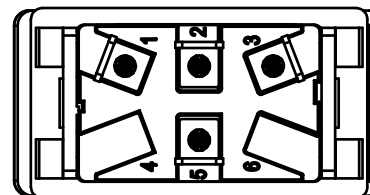
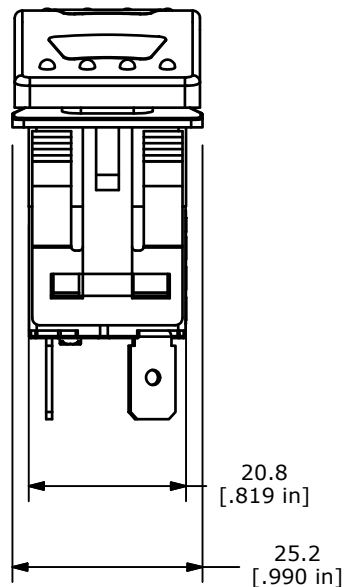


BLACK ACTUATOR
 TPR MATERIAL (Rubber)



BLACK
 BEZEL

RUBBER GASKET
 (Not Shown)



- NOTES:
- ALL DIMENSIONS IN MM [INCH]
 - GENERAL TOLERANCE: X.X=±0.4
 X.XX=±0.25
 - TERM. NOS. FOR REF. ONLY
 - RATING: 16A @30VDC, 50/60 Hz, µT55
 UL LISTED
 - ELECTRICAL LIFE: 10,000 CYCLES
 - MECHANICAL LIFE: 30,000 CYCLES
 - CONTACT RESISTANCE: <20 MILLI-OHMS INITIAL
 - DIELECTRIC STRENGTH: >1,500V AC 1MIN
 - INSULATION RESISTANCE: >100 MOHMS @ 500VDC
 - OPERATING TEMP: 0°C to 55°C
 - LED VOLTAGE: 12VDC
 - ▲DENOTES CRITICAL PARAMETER.
 - 2002/95/EC (ROHS) COMPLIANT



| | | | | |
|-----|--------|-----------------|---------|----|
| B | 21355 | Drawing Cleanup | 1/15/14 | rc |
| A | 21252 | New Release | 8/14/13 | rc |
| REV | PCR NO | DESCRIPTION | DATE | BY |

| | | | | |
|--------------------------|----------------|-------|-------------|-------|
| TITLE R716FE3-SXXX2BDGRW | | | | |
| SCALE 1:1 | DATE 8/14/2013 | DR rc | DWG C700018 | REV B |

THE INFORMATION CONTAINED IN THIS DOCUMENT IS PROPRIETARY TO E-SWITCH AND IS NOT TO BE COPIED OR TRANSFERRED